

Table 8.1 Parts list for MTX-3531

No	Part No.	Item	Qt.	Remarks
1	L6380B00	Shock sensor unit	1	
2	L6380D00	Power-feeding wire ASSY	1	
3	L6380C00	Nozzle holder ASSY	1	
4	L6380E00	Nozzle ASSY	1	
5	L6380G00	Hood ASSY	1	
6	3574-017	" O " - r i n g	1	
7	3574-007	" O " - r i n g	1	
8	L6380F02	T i p b o d y	1	
9	L7250B01	Contact tip (0.8)	(1)	Option
10	L7250B02	Contact tip (0.9)	(1)	Option
11	L7250B03	Contact tip (1.0)	(1)	Option
12	L7250B04	Contact tip (1.2)	1	
13	L7250B05	Contact tip (1.4)	(1)	Option
14	L7250B06	Contact tip (1.6)	(1)	Option
15	U608T00	I n s u l a t o r	1	
16	L6380F01	S p r i n g w a s h e r	1	
17	U2437H01	O r i f i c e	1	
18	L6380F03	N o z z l e ( N o . 8 )	1	
19	L6380F04	N o z z l e ( N o . 7 )	(1)	Option

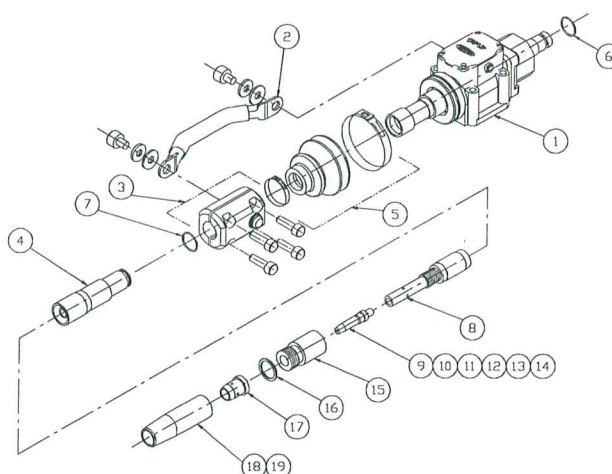


Fig. 8.2 Exploded diagram for MTX-3531

Table 8.2 Parts list for MTXC-3531

No	Part No.	Item	Qt.	Remarks
1	L6380B00	Shock sensor unit	1	
2	L6380D00	Power-feeding wire ASSY	1	
3	L6380C00	Nozzle holder ASSY	1	
4	L6550B00	Nozzle ASSY	1	
5	L6380G00	Hood ASSY	1	
6	3574-017	" O " - r i n g	1	
7	3574-007	" O " - r i n g	1	
8	L6380F02	T i p b o d y	1	
9	L7250B01	Contact tip (0.8)	(1)	Option
10	L7250B02	Contact tip (0.9)	(1)	Option
11	L7250B03	Contact tip (1.0)	(1)	Option
12	L7250B04	Contact tip (1.2)	1	
13	L7250B05	Contact tip (1.4)	(1)	Option
14	L7250B06	Contact tip (1.6)	(1)	Option
15	U608T00	I n s u l a t o r	1	
16	L6380F01	S p r i n g w a s h e r	1	
17	U2437H01	O r i f i c e	1	
18	L6380F03	N o z z l e ( N o . 8 )	1	
19	L6380F04	N o z z l e ( N o . 7 )	(1)	Option

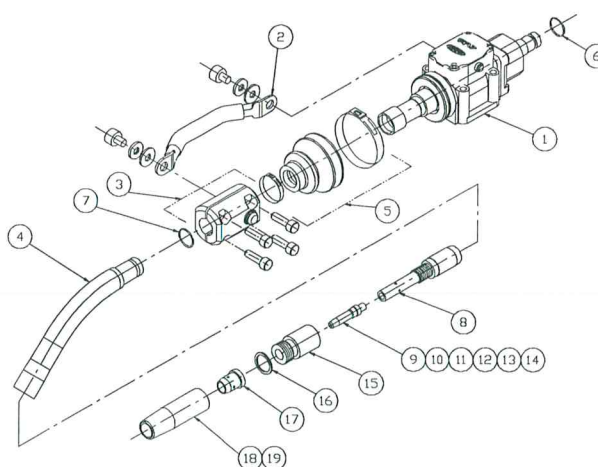


Fig. 8.3 Exploded diagram for MTXC-3531

Table 8.3 Parts list for MTXB-3531

Part No.	Item	Qt.	Remarks
L6380B00	Shock sensor unit	1	
L6380D00	Power-feeding wire ASSY	1	
L6380C00	Nozzle holder ASSY	1	
L6586B00	Nozzle ASSY	1	
L6380G00	Hood ASSY	1	
3574-017	" O " - ring	1	
3574-007	" O " - ring	1	
L6586C01	Tip body	1	
L7250B01	Contact tip (0.8)	(1)	Option
L7250B02	Contact tip (0.9)	(1)	Option
L7250B03	Contact tip (1.0)	(1)	Option
L7250B04	Contact tip (1.2)	1	
L7250B05	Contact tip (1.4)	(1)	Option
L7250B06	Contact tip (1.6)	(1)	Option
U608T00	Insulator	1	
L6380F01	Spring washer	1	
L6380F03	Nozzle (No.8)	1	
L6380F04	Nozzle (No.7)	(1)	Option
U2467G02	O r i f i c e	1	

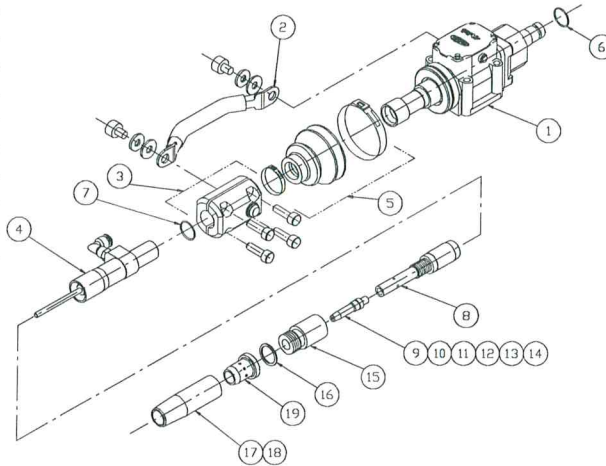


Fig. 8.4 Exploded diagram for MTXB-3531

Table 8.4 Parts list for MTXCB-3531

Part No.	Item	Qt.	Remarks
L6380B00	Shock sensor unit	1	
L6380D00	Power-feeding wire ASSY	1	
L6380C00	Nozzle holder ASSY	1	
L6587D00	Nozzle ASSY	1	
L6380G00	Hood ASSY	1	
3574-017	" O " - ring	1	
3574-007	" O " - ring	1	
L6586C01	Tip body	1	
L7250B01	Contact tip (0.8)	(1)	Option
L7250B02	Contact tip (0.9)	(1)	Option
L7250B03	Contact tip (1.0)	(1)	Option
L7250B04	Contact tip (1.2)	1	
L7250B05	Contact tip (1.4)	(1)	Option
L7250B06	Contact tip (1.6)	(1)	Option
U608T00	Insulator	1	
L6380F01	Spring washer	1	
L6380F03	Nozzle (No.8)	1	
L6380F04	Nozzle (No.7)	(1)	Option
U2467G02	O r i f i c e	1	

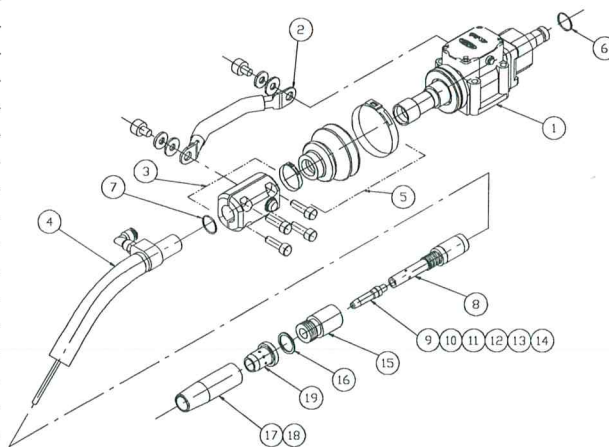


Fig. 8.5 Exploded diagram for MTXCB-3531

Table 8.5 Parts list for MTX-5031

No	Part No.	Item	Qt.	Remarks
1	L6380B00	Shock sensor unit	1	
2	L6380D00	Power-feeding wire ASSY	1	
3	L6380C00	Nozzle holder ASSY	1	
4	L6573B00	Nozzle ASSY	1	
5	L6380G00	Hood ASSY	1	
6	3574-017	" O " - ring	1	
7	3574-007	" O " - ring	1	
8	K1769C01	Tip body	1	
9	U2774F00	Insulator	1	
10	U2774E03	O r i f i c e	1	
11	L6218C01	Tip holder	1	
12	L7250B01	Contact tip (0.8)	(1)	Option
13	L7250B02	Contact tip (0.9)	(1)	Option
14	L7250B03	Contact tip (1.0)	(1)	Option
15	L7250B04	Contact tip (1.2)	1	
16	L7250B05	Contact tip (1.4)	(1)	Option
17	L7250B06	Contact tip (1.6)	(1)	Option
18	U2774E01	Nozzle (No.12)	1	
19	U2774E04	Nozzle (No.10)	(1)	Option
20	L6573C02	Spring washer	1	

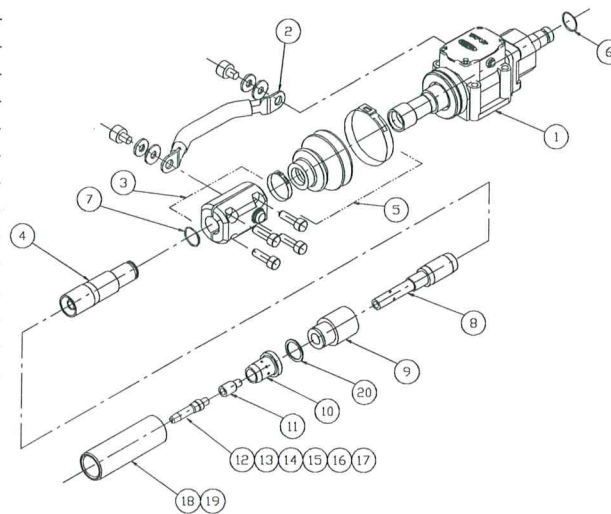


Fig.8.6 Exploded diagram for MTX-5031

Table 8.6 Parts list for MTXC-5031

No	Part No.	Item	Qt.	Remarks
1	L6380B00	Shock sensor unit	1	
2	L6380D00	Power-feeding wire ASSY	1	
3	L6380C00	Nozzle holder ASSY	1	
4	L6574B00	Nozzle ASSY	1	
5	L6380G00	Hood ASSY	1	
6	3574-017	" O " - ring	1	
7	3574-007	" O " - ring	1	
8	K1769C01	Tip body	1	
9	U2774F00	Insulator	1	
10	U2774E03	O r i f i c e	1	
11	L6218C01	Tip holder	1	
12	L7250B01	Contact tip (0.8)	(1)	Option
13	L7250B02	Contact tip (0.9)	(1)	Option
14	L7250B03	Contact tip (1.0)	(1)	Option
15	L7250B04	Contact tip (1.2)	1	
16	L7250B05	Contact tip (1.4)	(1)	Option
17	L7250B06	Contact tip (1.6)	(1)	Option
18	U2774E01	Nozzle (No.12)	1	
19	U2774E04	Nozzle (No.10)	(1)	Option
20	L6573C02	Spring washer	1	

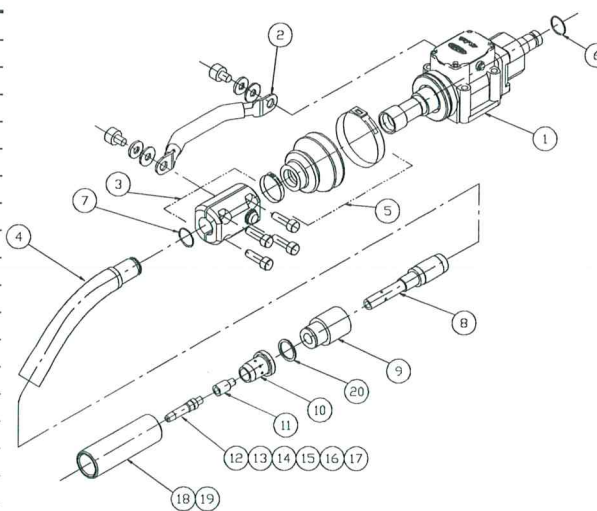


Fig. 8.7 Exploded diagram for MTXC-5031

Table 8.7 Parts list for MTXB-5031

Part No.	Item	Qt.	Remarks
L6380B00	Shock sensor unit	1	
L6380D00	Power-feeding wire ASSY	1	
L6380C00	Nozzle holder ASSY	1	
L7064B00	Nozzle ASSY	1	
L6380G00	Hood ASSY	1	
3574-017	"O" - ring	1	
3574-007	"O" - ring	1	
L6586C01	Tip body	1	
U2774F00	Insulator	1	
U2774E03	O r i f i c e	1	
L6218C01	Tip holder	1	
L7250B01	Contact tip (0.8)	(1)	Option
L7250B02	Contact tip (0.9)	(1)	Option
L7250B03	Contact tip (1.0)	(1)	Option
L7250B04	Contact tip (1.2)	1	
L7250B05	Contact tip (1.4)	(1)	Option
L7250B06	Contact tip (1.6)	(1)	Option
U2774E01	Nozzle (No.12)	1	
U2774E04	Nozzle (No.10)	(1)	Option
L6573C02	Spring washer	1	

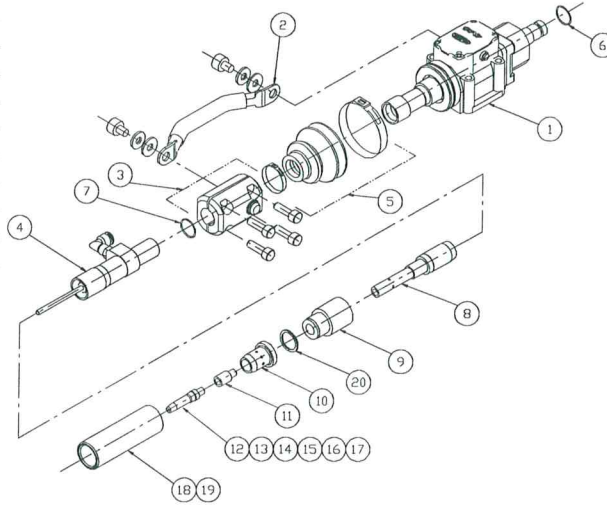


Fig. 8.8 Exploded diagram for MTXB-5031

Table 8.8 Parts list for MTXCB-5031

Part No.	Item	Qt.	Remarks
L6380B00	Shock sensor unit	1	
L6380D00	Power-feeding wire ASSY	1	
L6380C00	Nozzle holder ASSY	1	
L7065B00	Nozzle ASSY	1	
L6380G00	Hood ASSY	1	
3574-017	"O" - ring	1	
3574-007	"O" - ring	1	
L6586C01	Tip body	1	
U2774F00	Insulator	1	
U2774E03	O r i f i c e	1	
L6218C01	Tip holder	1	
L7250B01	Contact tip (0.8)	(1)	Option
L7250B02	Contact tip (0.9)	(1)	Option
L7250B03	Contact tip (1.0)	(1)	Option
L7250B04	Contact tip (1.2)	1	
L7250B05	Contact tip (1.4)	(1)	Option
L7250B06	Contact tip (1.6)	(1)	Option
U2774E01	Nozzle (No.12)	1	
U2774E04	Nozzle (No.10)	(1)	Option
L6573C02	Spring washer	1	

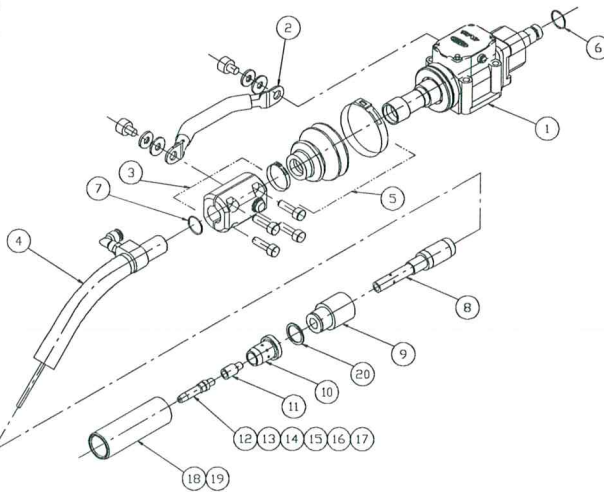


Fig. 8.9 Exploded diagram for MTXCB-5031

Table 8.9 Parts list for MTXW-5031

No	Part No.	Item	Qt.	Remarks
1	L6380B00	Shock sensor unit	1	
2	L6380D00	Power-feeding wire ASSY	1	
3	L6380C00	Nozzle holder ASSY	1	
4	L6571B00	Nozzle ASSY	1	
5	L6380G00	Hood ASSY	1	
6	3574-017	" O " - ring	1	
7	3574-007	" O " - ring	1	
8	L6571C01	Insulating bush	1	
9	L6571C02	Front body	1	
10	L6571C03	N u t	1	
11	K2585B06	Tip body (1)	1	
12	U2969K03	C a p n u t	1	
13	U3766K01	O r i f i c e	1	
14	3574-006	" O " - ring	1	
15	3574-003	" O " - ring	1	
16	L7250B01	Contact tip (0.8)	(1)	Option
17	L7250B02	Contact tip (0.9)	(1)	Option
18	L7250B03	Contact tip (1.0)	(1)	Option
19	L7250B04	Contact tip (1.2)	1	
20	L7250B05	Contact tip (1.4)	(1)	Option
21	L7250B06	Contact tip (1.6)	(1)	Option
22	U724E01	Nozzle (No.12)	1	
23	U724E02	Nozzle (No.8)	(1)	Option
24	U2559P05	W r e n c h	1	Standard
25	L6571D00	Cooling hose (1)	2	6m
26	L6571E00	Cooling hose (2)	(2)	8m
27	L6571F00	Cooling hose (3)	(2)	10m
28	3574-002	" O " - ring	2	

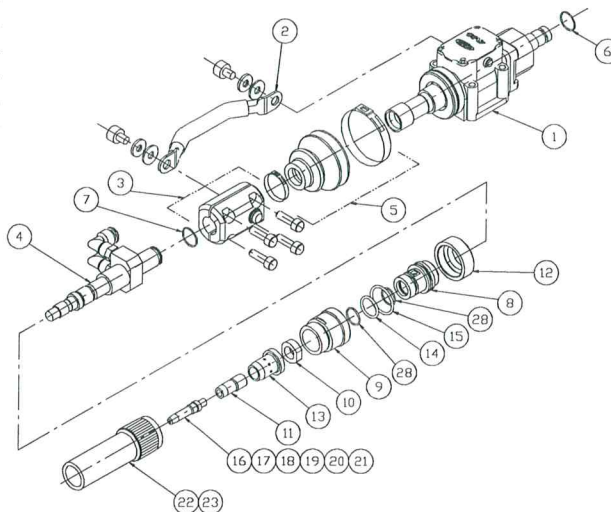


Fig. 8.10 Exploded diagram for MTXW-5031

Table 8.10 Parts list for MTXCW-5031

No	Part No.	Item	Qt.	Remarks
1	L6380B00	Shock sensor unit	1	
2	L6380D00	Power-feeding wire ASSY	1	
3	L6380C00	Nozzle holder ASSY	1	
4	L6572B00	Nozzle ASSY	1	
5	L6380G00	Hood ASSY	1	
6	3574-017	" O " - ring	1	
7	3574-007	" O " - ring	1	
8	L6571C01	Insulating bush	1	
9	L6571C02	Front body	1	
10	L6571C03	N u t	1	
11	K2585B06	Tip body (1)	1	
12	U2969K03	C a p n u t	1	
13	U3766K01	O r i f i c e	1	
14	3574-006	" O " - ring	1	
15	3574-003	" O " - ring	1	
16	L7250B01	Contact tip (0.8)	(1)	Option
17	L7250B02	Contact tip (0.9)	(1)	Option
18	L7250B03	Contact tip (1.0)	(1)	Option
19	L7250B04	Contact tip (1.2)	1	
20	L7250B05	Contact tip (1.4)	(1)	Option
21	L7250B06	Contact tip (1.6)	(1)	Option
22	U724E01	Nozzle (No.12)	1	
23	U724E02	Nozzle (No.8)	(1)	Option
24	U2559P05	W r e n c h	1	Standard
25	L6571D00	Cooling hose (1)	2	6m
26	L6571E00	Cooling hose (2)	(2)	8m
27	L6571F00	Cooling hose (3)	(2)	10m
28	3574-002	" O " - ring	2	

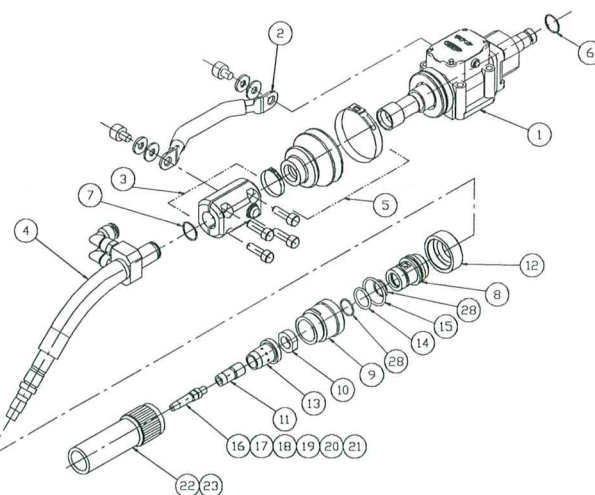


Fig. 8.11 Exploded diagram for MTXCW-5031